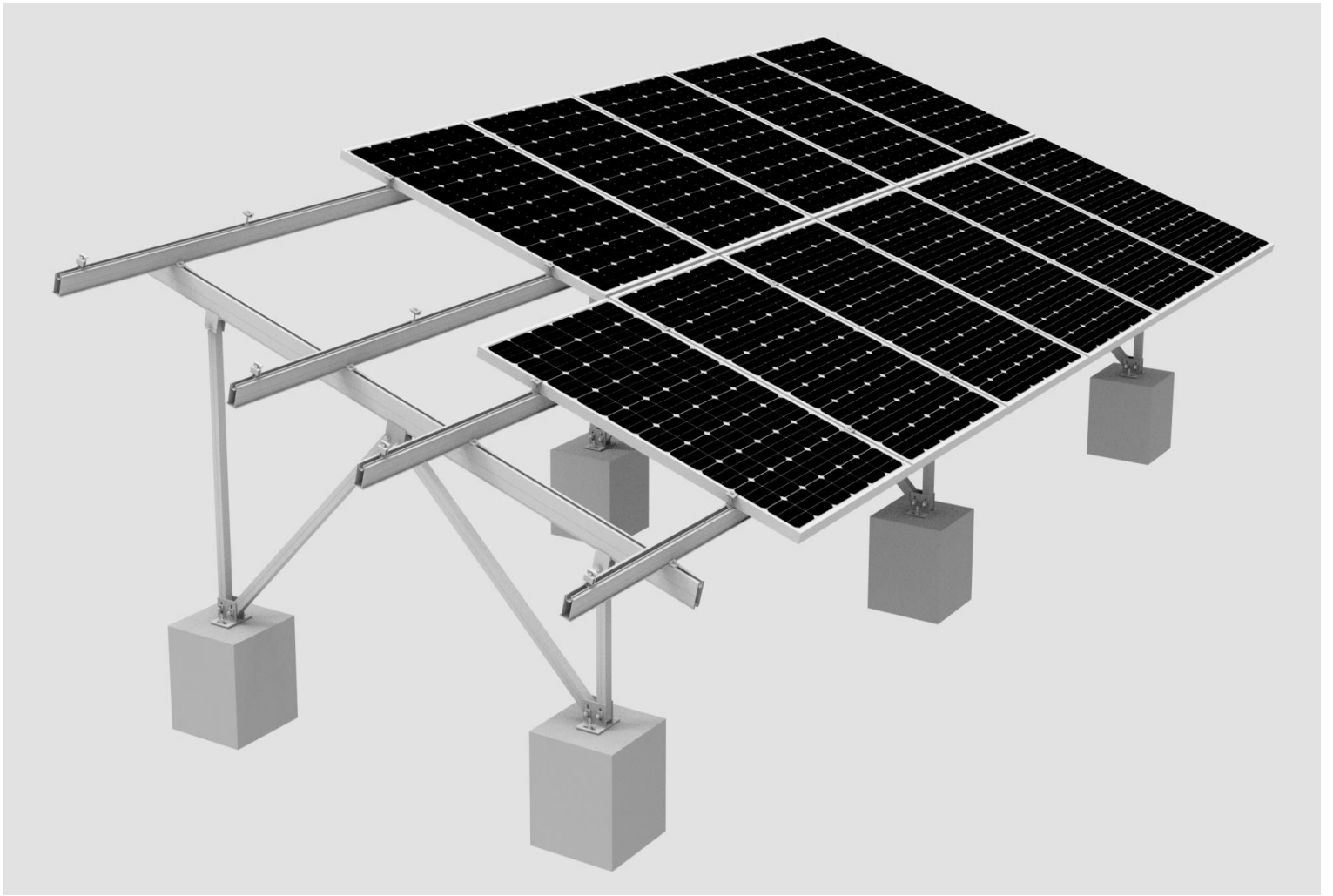


AW-2P System



9# Rail System Components



9# Rail

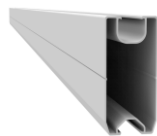
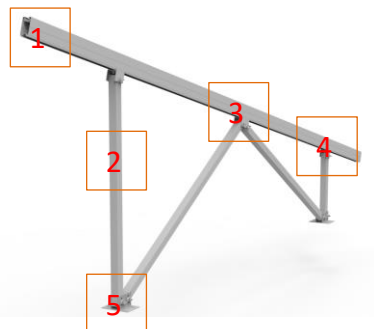
Rail Splice

Mid Clamp

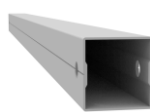
End Clamp

Rail Fix Kit

AW Leg Components



1. Beam



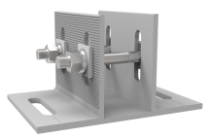
2. Tube



3. Big Transfer Kit

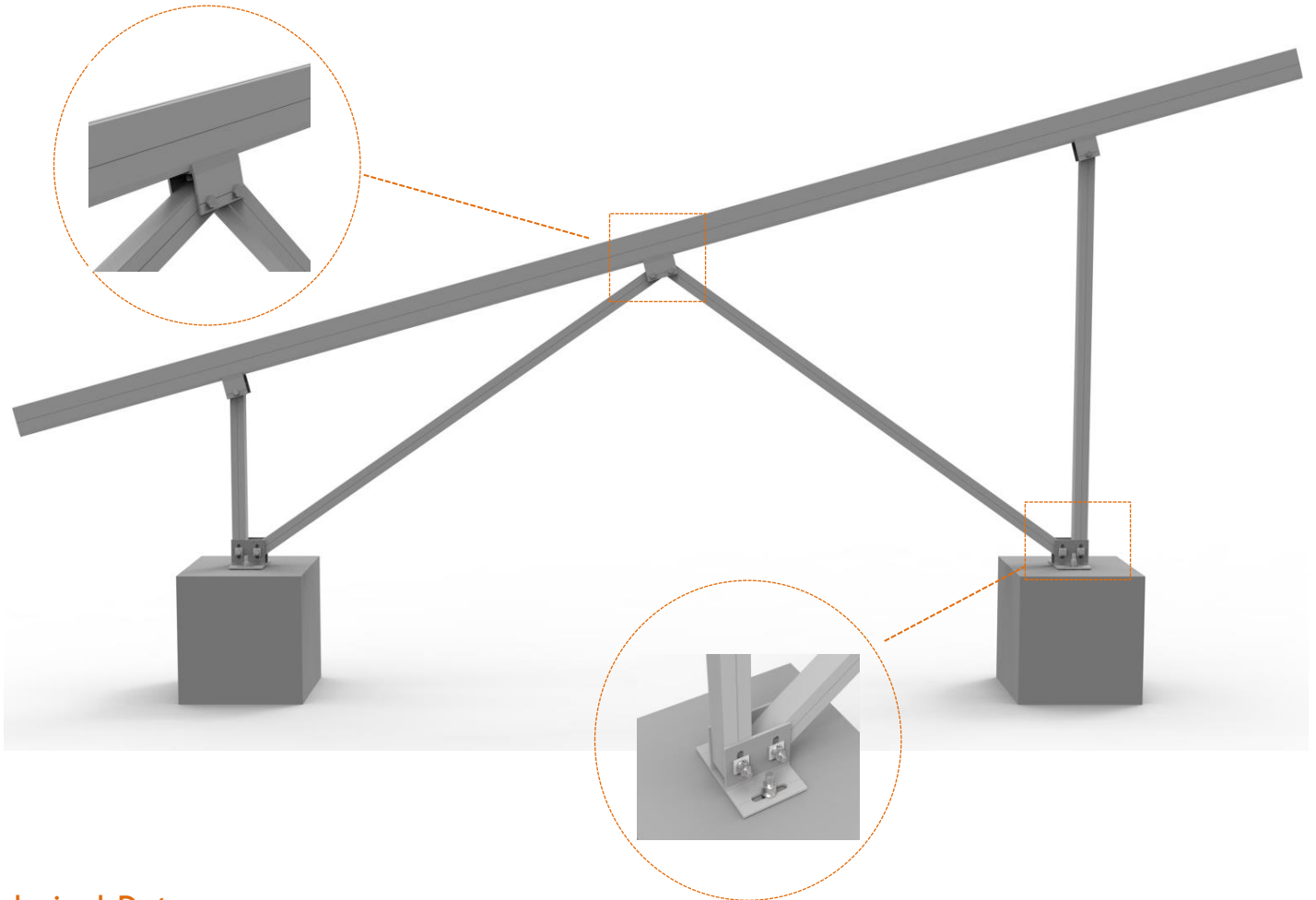


4. Small Transfer Kit



5. Base

Unique Feature



Technical Data

Product name	AW Mount System
Application	Ground and flat concrete concrete roof
Inclination	Fixed 10/15/20/25/30 deg or customized
Material	Aluminum 6005 T5
Finish	Anodized clear, average 12um
PV module	Framed
Module size	Small and Big modules
Module orientation	Portrait and landscape
Module direction	South , North