

Ground and Carport Solar Mounting System

2022 Version2

- Premium materials
- Precision without cutting
- Pre-assembled & height adjustable
- Full warranties & first-class service
- All improved & patented

Content

AW-2PC System	1-2
AW-2PGC System	3-4
AW-4PC System	5-6
AW-4PGC System	7-8
SP System	9-10
DP System	11-12
Water Proof Carport System	13-14



Manufacturing facilities for both aluminum and steel products



Experienced team since 2010



Global service



Direct racking supply



Design standard:
AS1170.2:2011,
JIS C 8955:2011,
UL 1703/2703



10 Years warranty

About us

WOCHN Green Energy Co.,Ltd

WOCHN Energy is a high-tech company which specializes in designing, manufacturing, selling solar mounting system. Headquartered in Shanghai, WOCHN has invested two factories in Xiamen & Zhejiang. WOCHN built partnerships with 5 main distributors overseas and keep expanding its sale network worldwide.

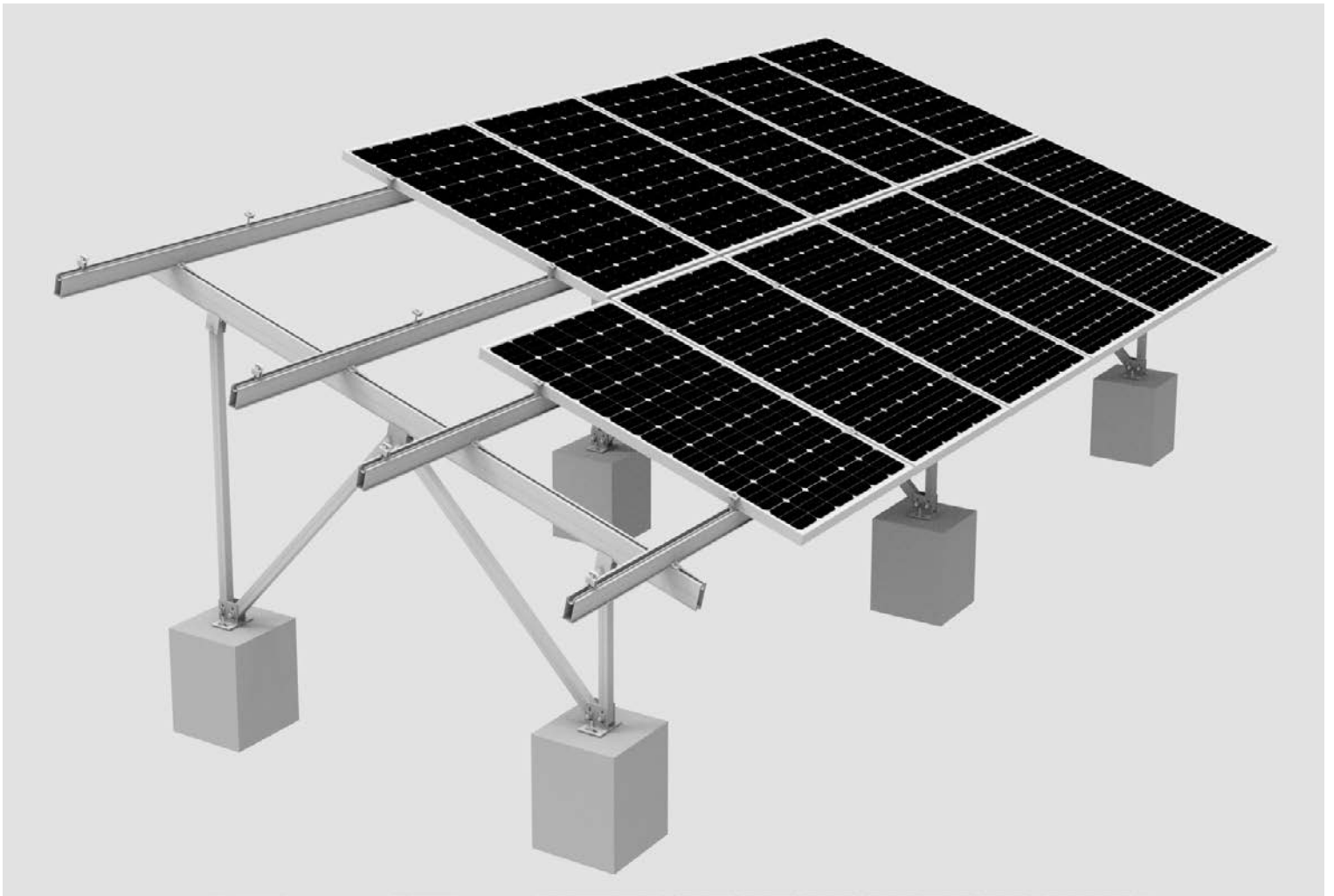
WOCHN's products and services have become synonymous with quality and innovation, delivering a wide range of solutions to the industry, its professional and friendly service is globally renowned by customers.

WOCHN offering innovative design and integrative settlement solution to our customers based on years of experiences on design, production and sale. We achieved good trust from customers because of our stable and excellent products. We will try our best to become a world leading level of solar photovoltaic systems integration solutions supplier.

WOCHN is committed to locally delivering a wide range of products and services: local distributor investigating at site, delivering goods soonest, offering the best after-sales service. Our customers count on us before, during and after the installation. You can rest assured that when you partner with WOCHN you've made the right decision.



AW-2PC System



9# Rail System Components



9# Rail

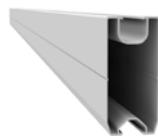
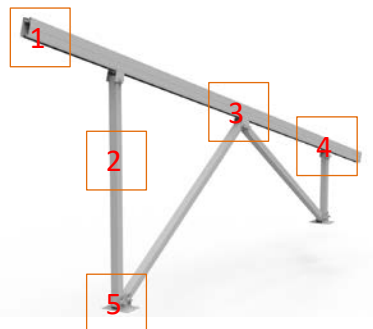
Rail Splice

Mid Clamp

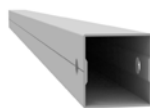
End Clamp

Rail Fix Kit

AW Leg Components



1. Beam



2. Tube



3. Big Transfer Kit

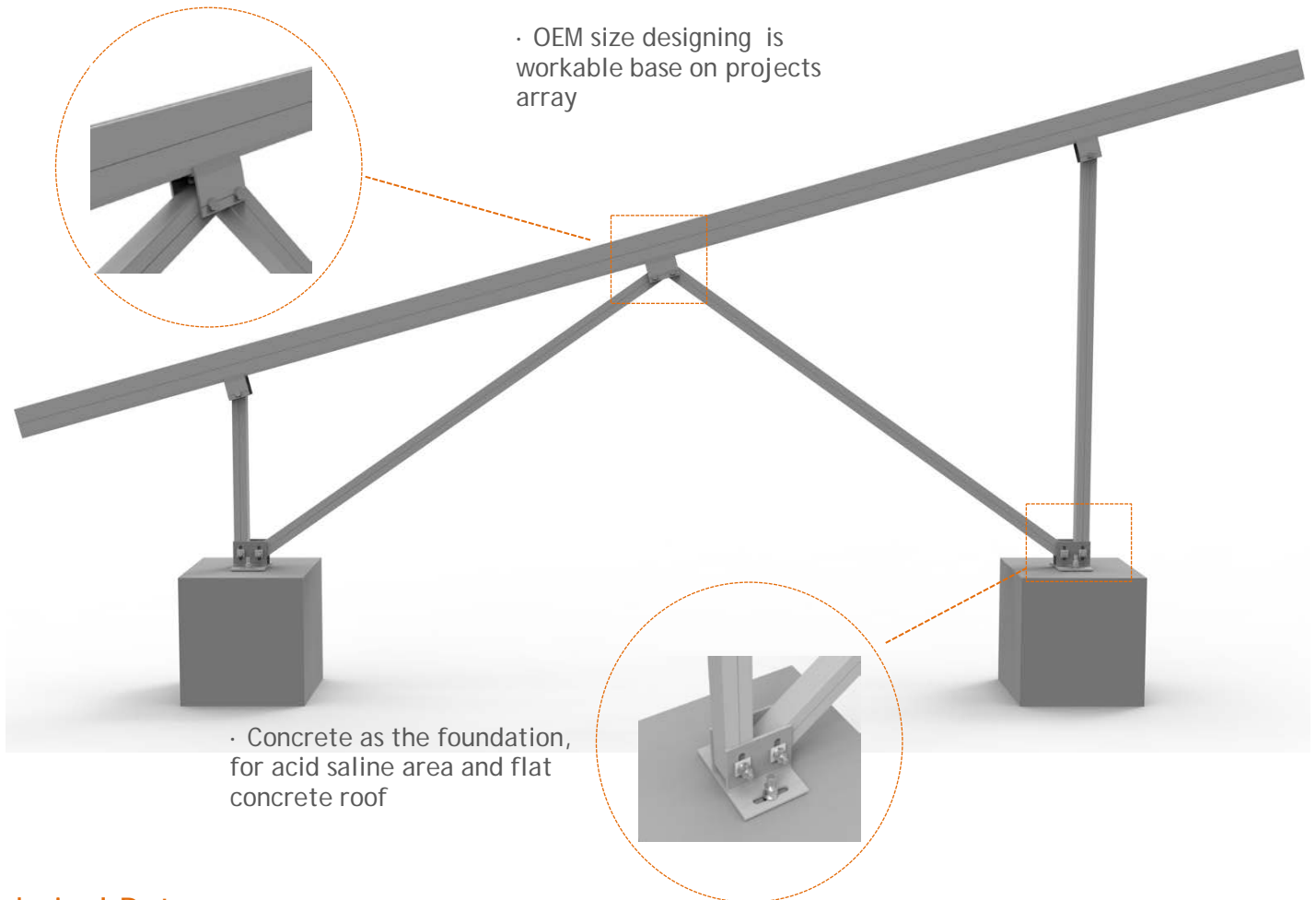


4. Small Transfer Kit



5. Base

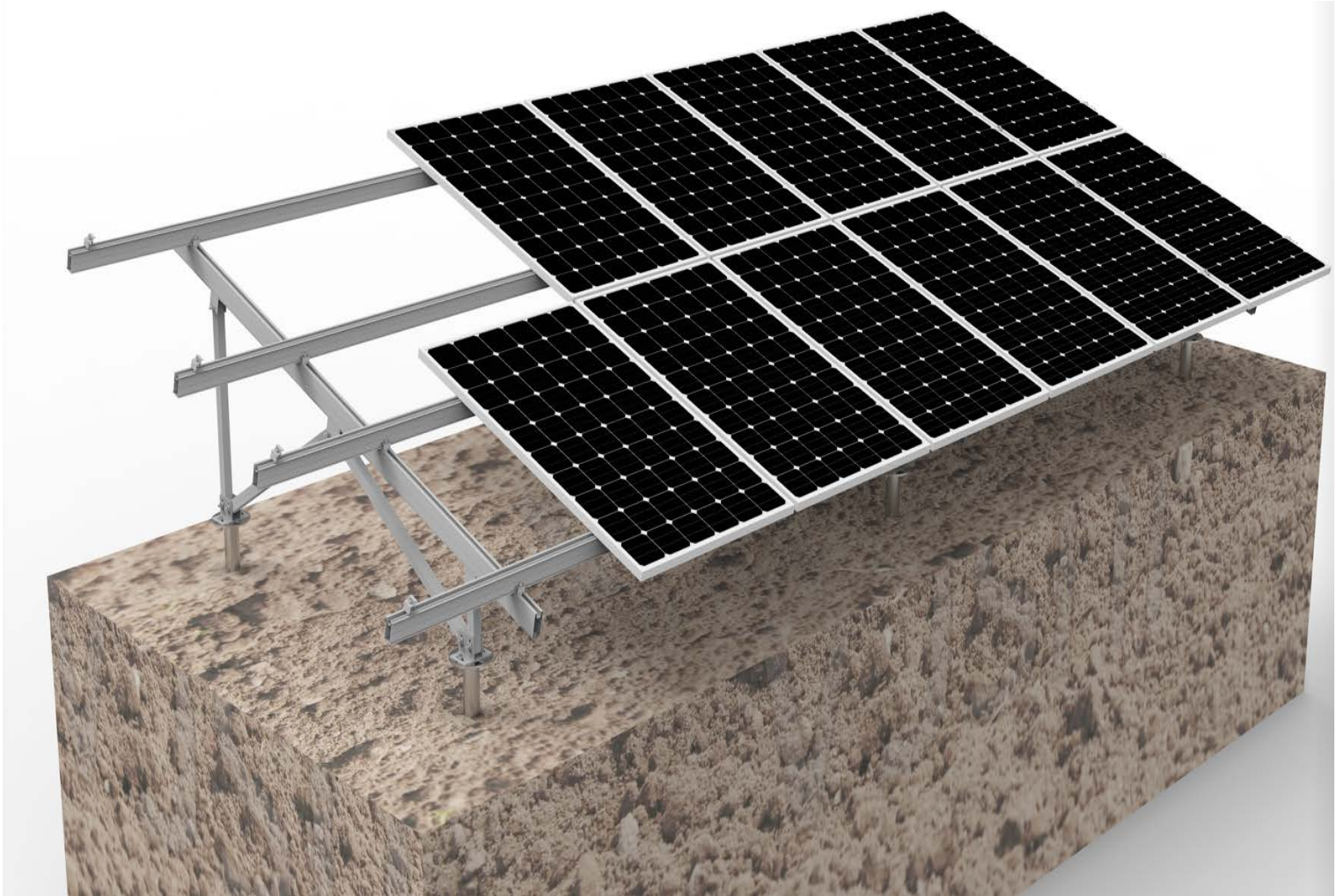
Unique Feature



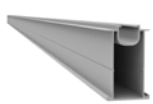
Technical Data

Product name	AW-2PC Mount System
Application	Ground and flat concrete concrete roof
Inclination	Fixed 10/15/20/25/30 deg or customized
Material	Aluminum 6005 T5
Finish	Anodized clear, average 12um
PV module	Framed or Unframed
Module size	Small and Big modules
Module orientation	1/2/3 panels Portrait
Module direction	South , North
Foundation	Concrete

AW-2PGS System



9# Rail System Components



9# Rail



Rail Splice



Mid Clamp



End Clamp

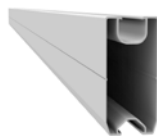
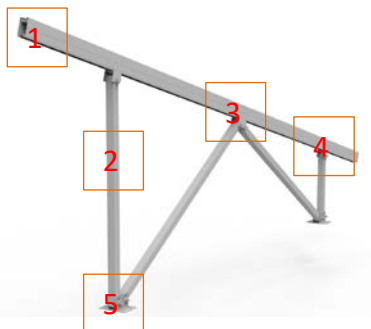


Rail Fix Kit

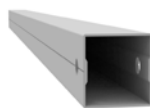


Ground Screw

AW Leg Components



1. Beam



2. Tube



3. Big Transfer Kit

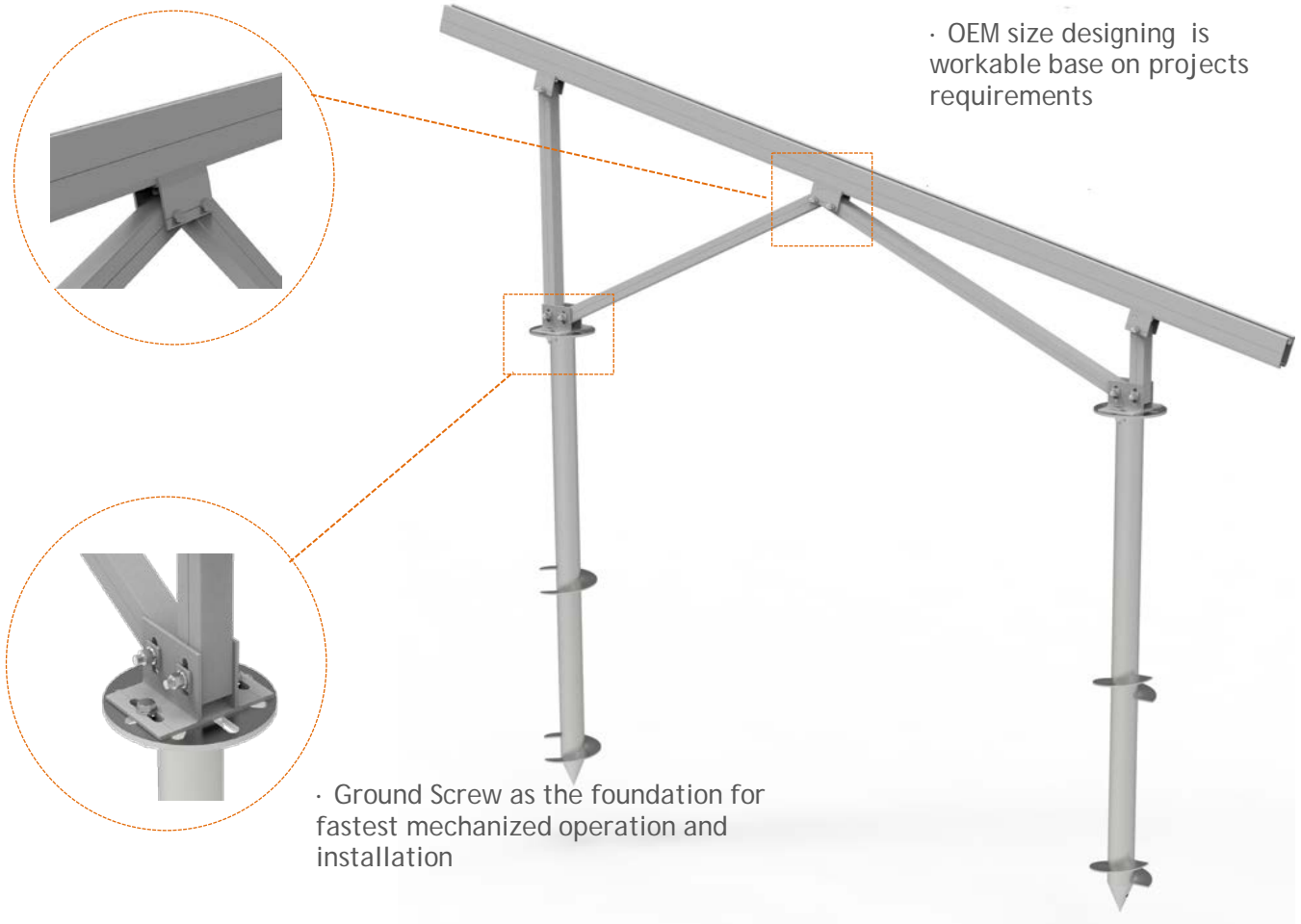


4. Small Transfer Kit



5. Base Kit

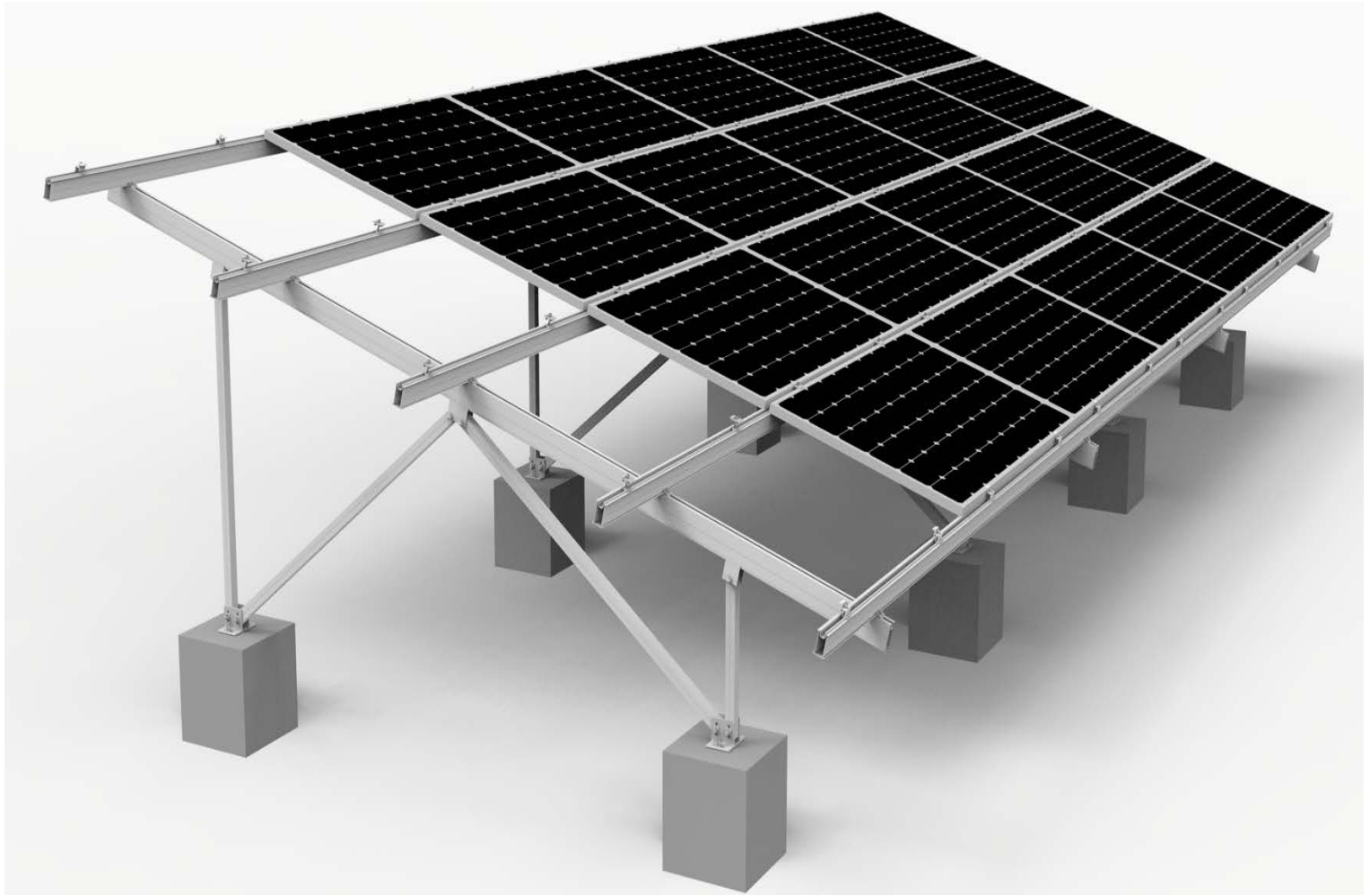
Unique Feature



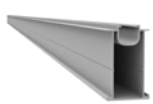
Technical Data

Product name	AW-2PGC Mount System
Application	Flat Ground or Slop Ground
Inclination	Fixed 10/15/20/25/30 deg or customized
Material	Aluminum 6005 T5
Finish	Anodized clear, average 12um
PV module	Framed or Unframed
Module size	Small and Big modules
Module orientation	1/2/3 panels Portrait
Module direction	South , North
Foundation	Ground Screw

AW-4LC System



9# Rail System Components



9# Rail



Rail Splice



Mid Clamp

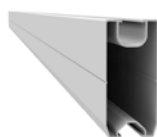
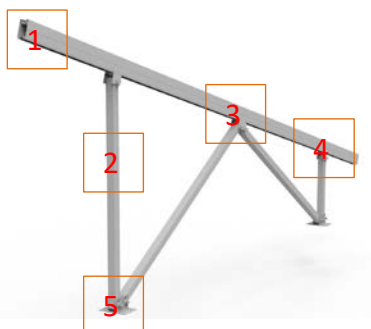


End Clamp

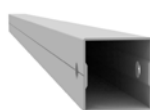


Rail Fix Kit

AW Leg Components



1. Beam



2. Tube



3. Big Transfer Kit

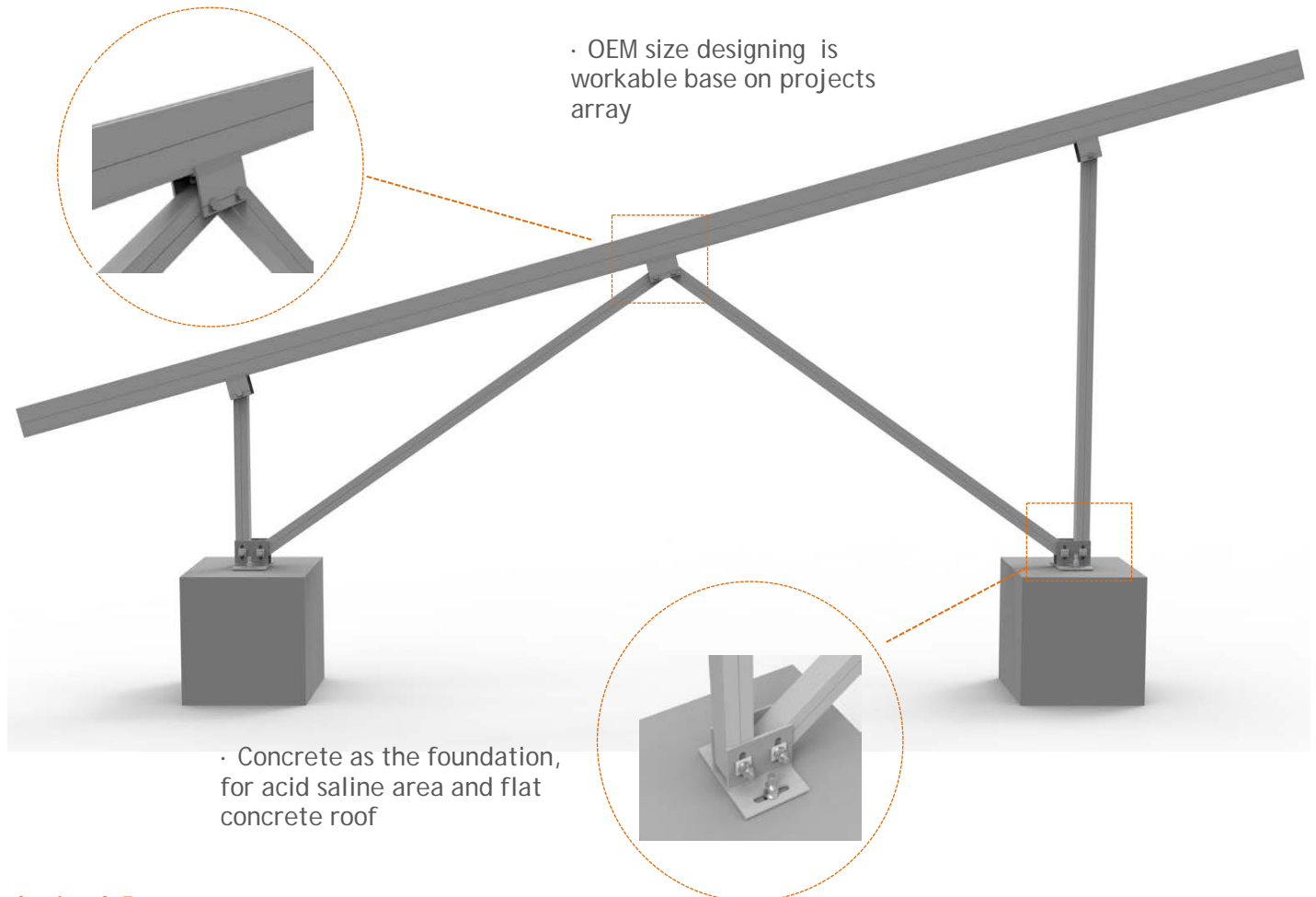


4. Small Transfer Kit



5. Base Kit

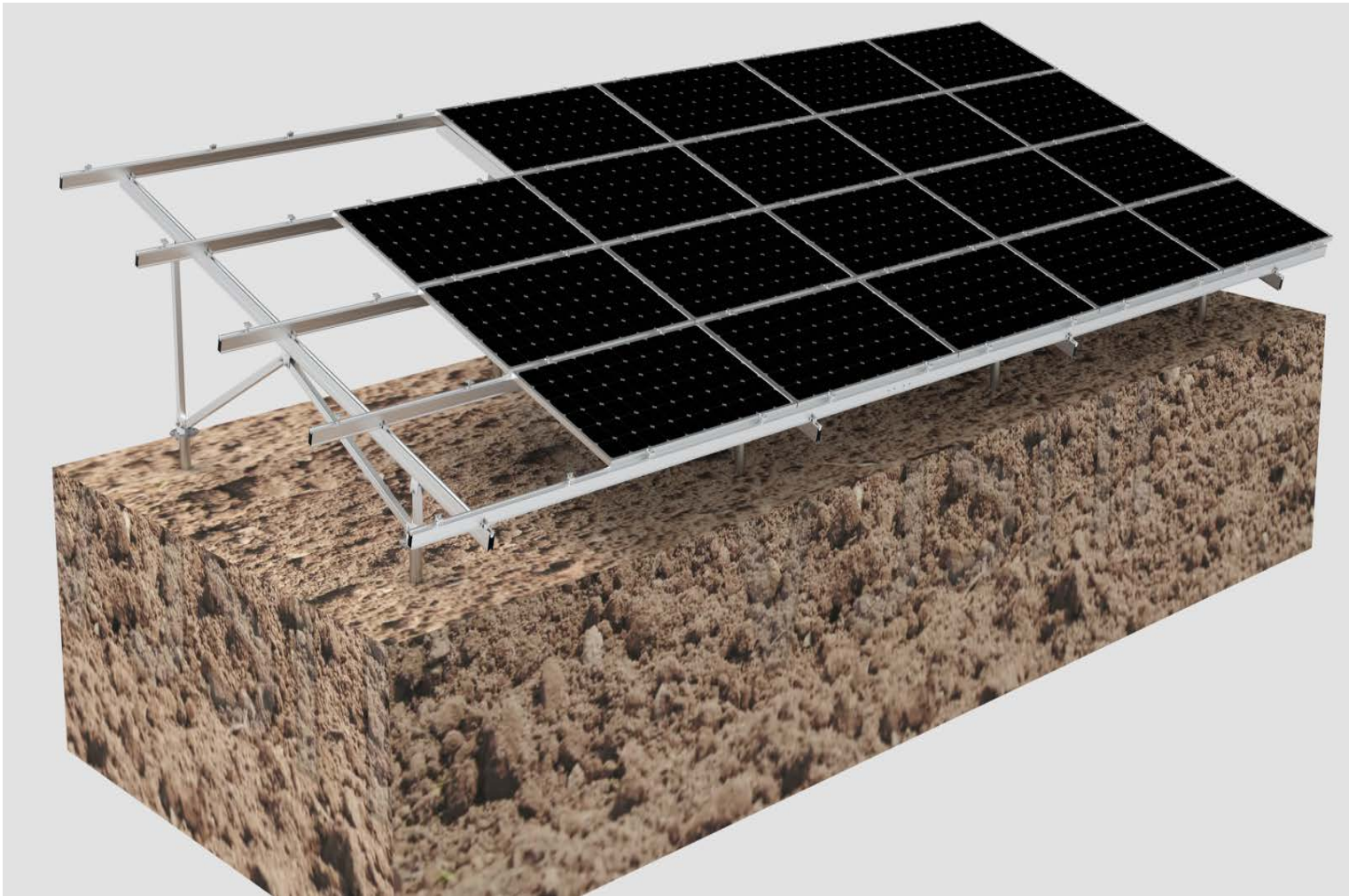
Unique Feature



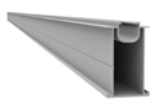
Technical Data

Product name	AW-4L Mount System
Application	Ground and flat concrete concrete roof
Inclination	Fixed 10/15/20/25/30 deg or customized
Material	Aluminum 6005 T5
Finish	Anodized clear, average 12um
PV module	Framed or Unframed
Module size	Small and Big modules
Module orientation	2 / 3 / 4 / 5 / 6 panels landscape
Module direction	South , North
Foundation	Concrete

AW-2PGS System



9# Rail System Components



9# Rail



Rail Splice



Mid Clamp



End Clamp

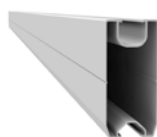
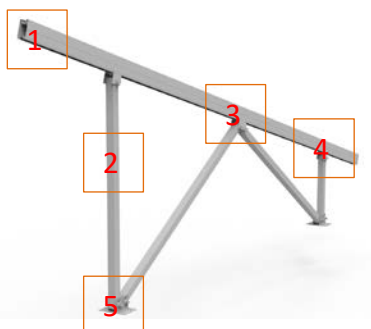


Rail Fix Kit

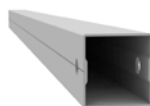


Ground Screw

AW Leg Components



1. Beam



2. Tube



3. Big Transfer Kit

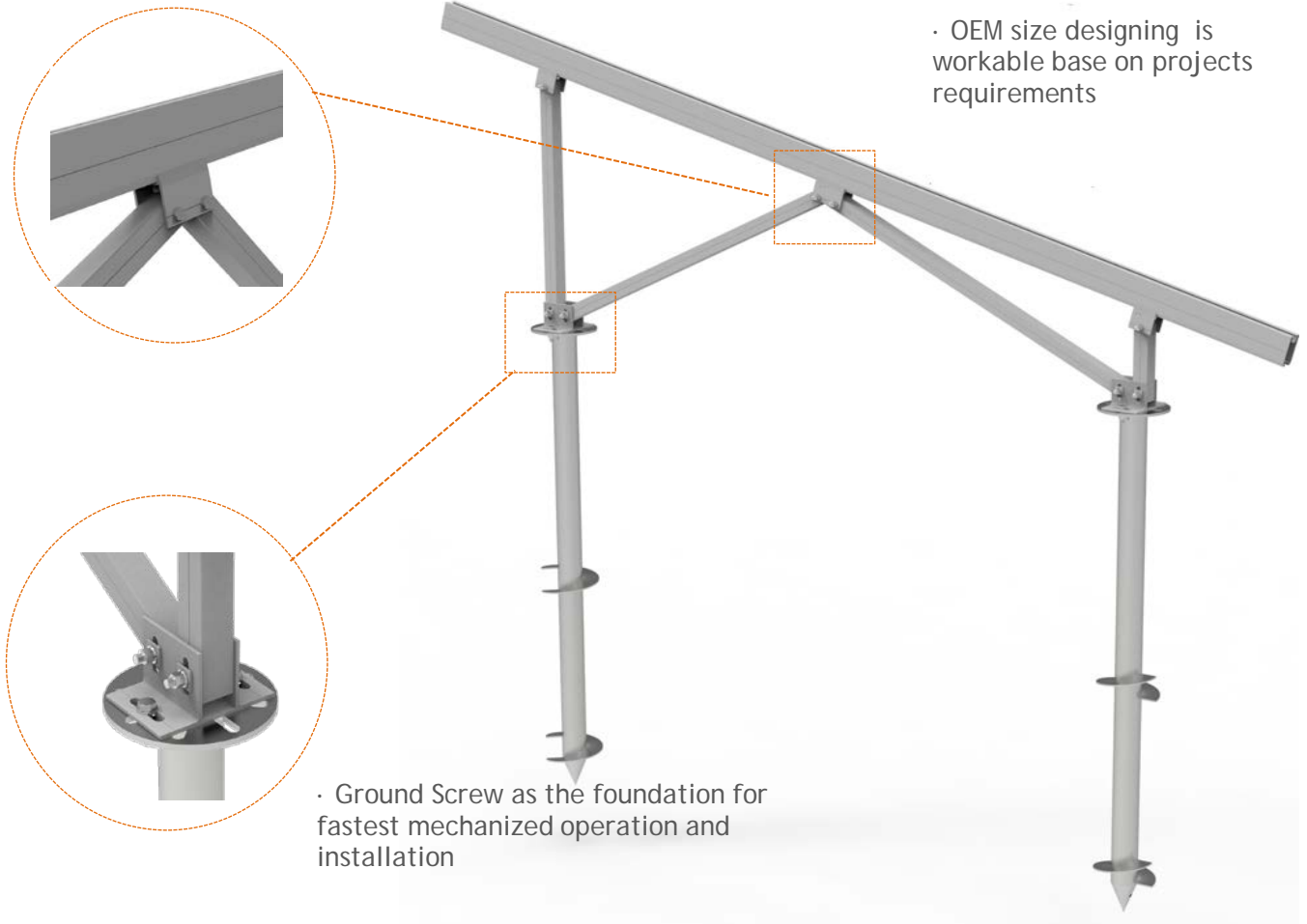


4. Small Transfer Kit



5. Base

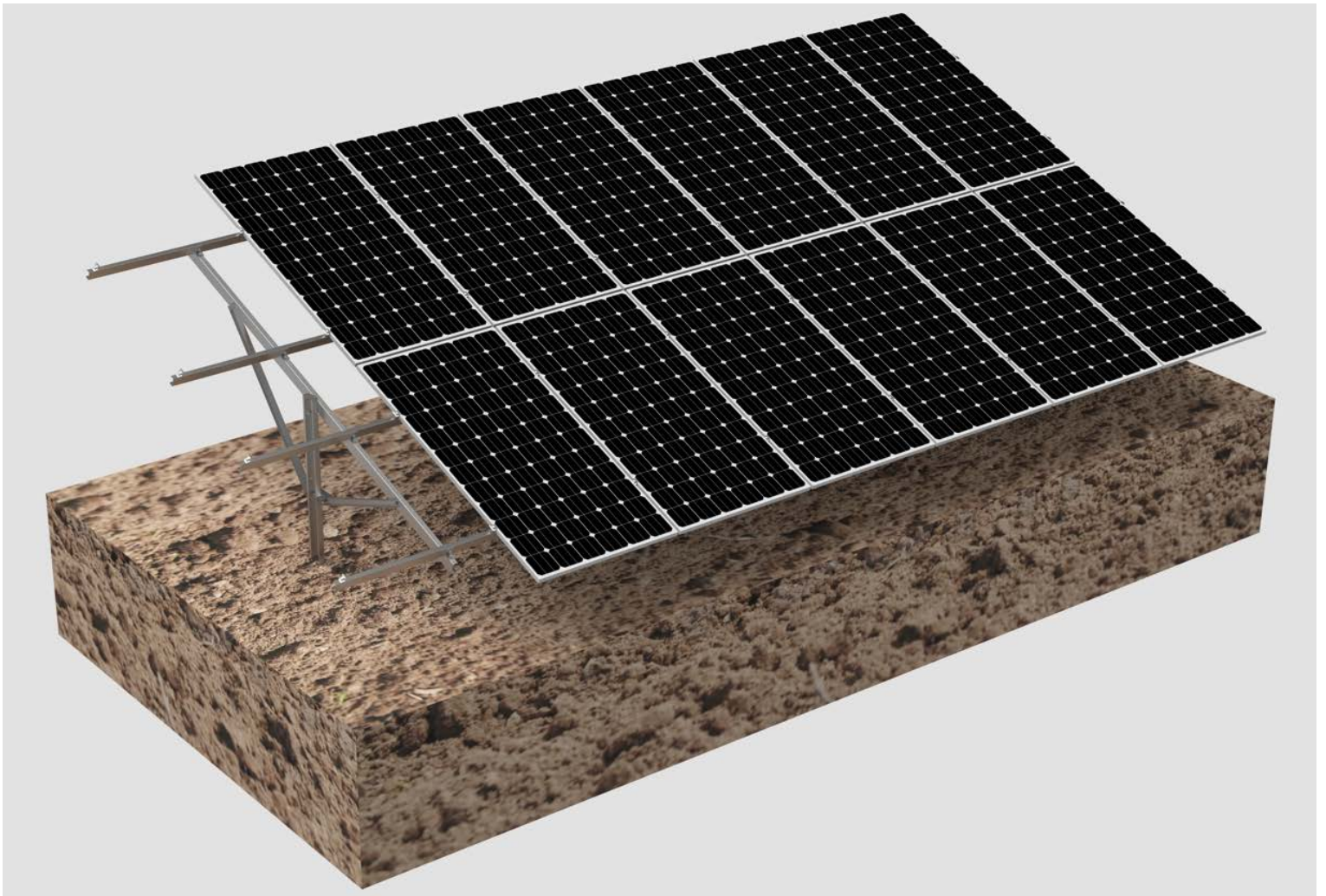
Unique Feature



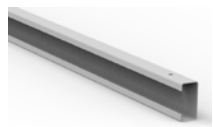
Technical Data

Product name	AW-2P Mount System
Application	Flat Ground or Slop Ground
Inclination	Fixed 10/15/20/25/30 deg or customized
Material	Aluminum 6005 T5
Finish	Anodized clear, average 12um
PV module	Framed or Unframed
Module size	Small and Big modules
Module orientation	2 / 3 / 4 / 5 / 6 panels landscape
Module direction	South , North
Foundation	Ground Screw

SP Pile System



C Section Rail System Components



C Section Rail



C Rail Splice



Mid Clamp

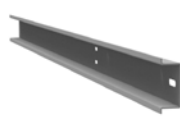
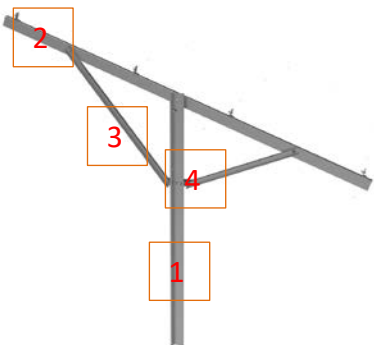


End Clamp

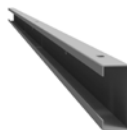


Rail Fix Kit

SP Leg Components



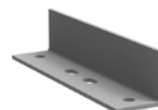
1. Pillar



2. Beam

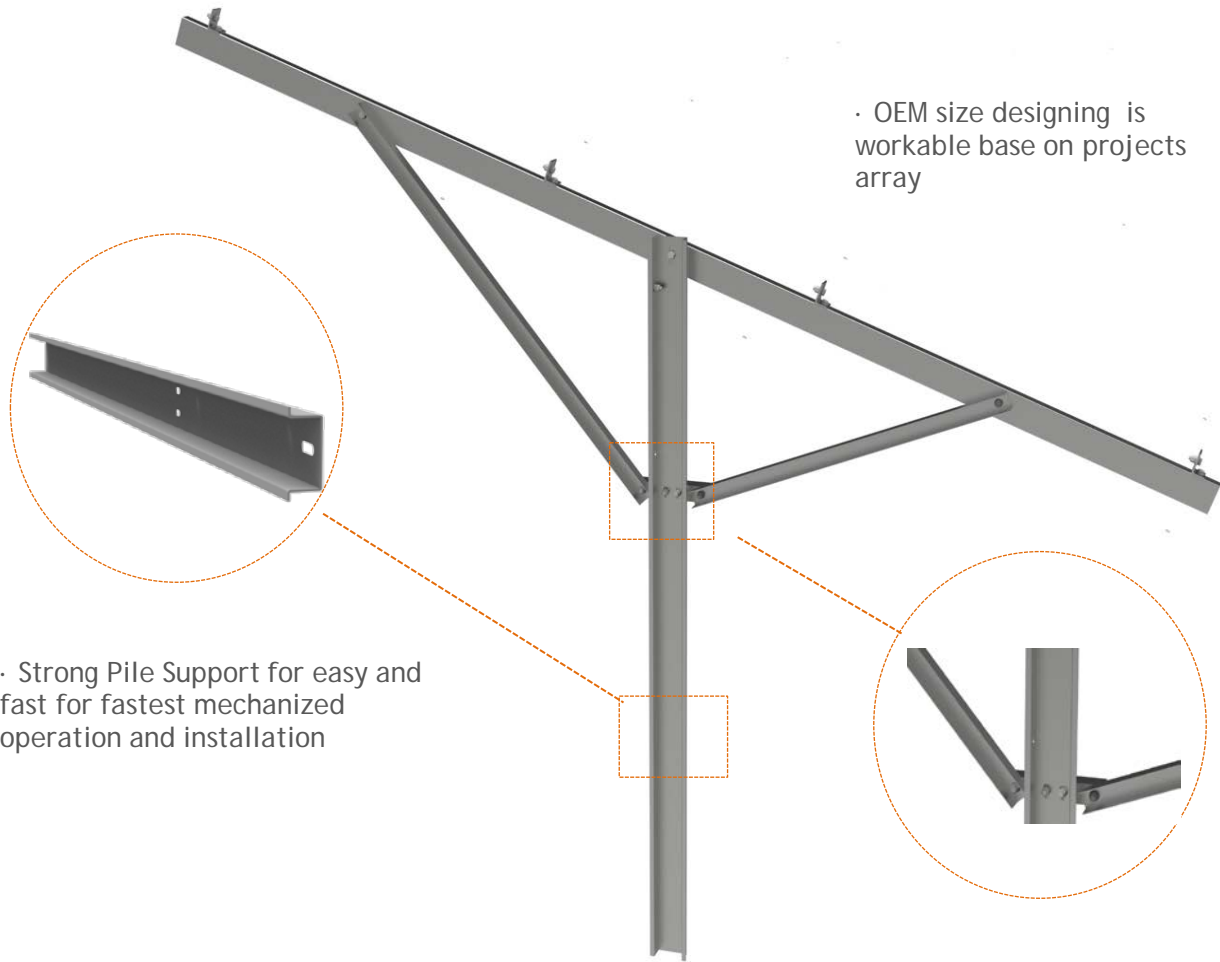


3. Side Support



4. Transfer Kit

Unique Feature



· OEM size designing is workable base on projects array

· Strong Pile Support for easy and fast for fastest mechanized operation and installation

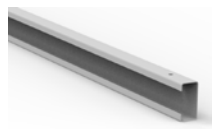
Technical Data

Product name	AW-2P Mount System
Application	Ground and flat concrete concrete roof
Inclination	Fixed 10/15/20/25/30 deg or customized
Material	Q235B
Finish	Hot dip Galvanaized Steel, average 75um
PV module	Framed or Unframed
Module size	Small and Big modules
Module orientation	Portrait and landscape
Module direction	South , North
Foundation	Pile

DP Pile System



C Section Rail System Components



C Section Rail



C Rail Splice



Mid Clamp

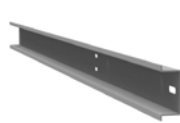
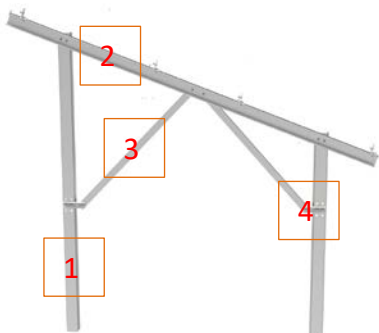


End Clamp

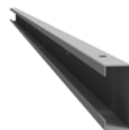


Rail Fix Kit

SP Leg Components



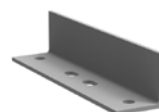
1. Pillar



2. Beam



3. Side Support

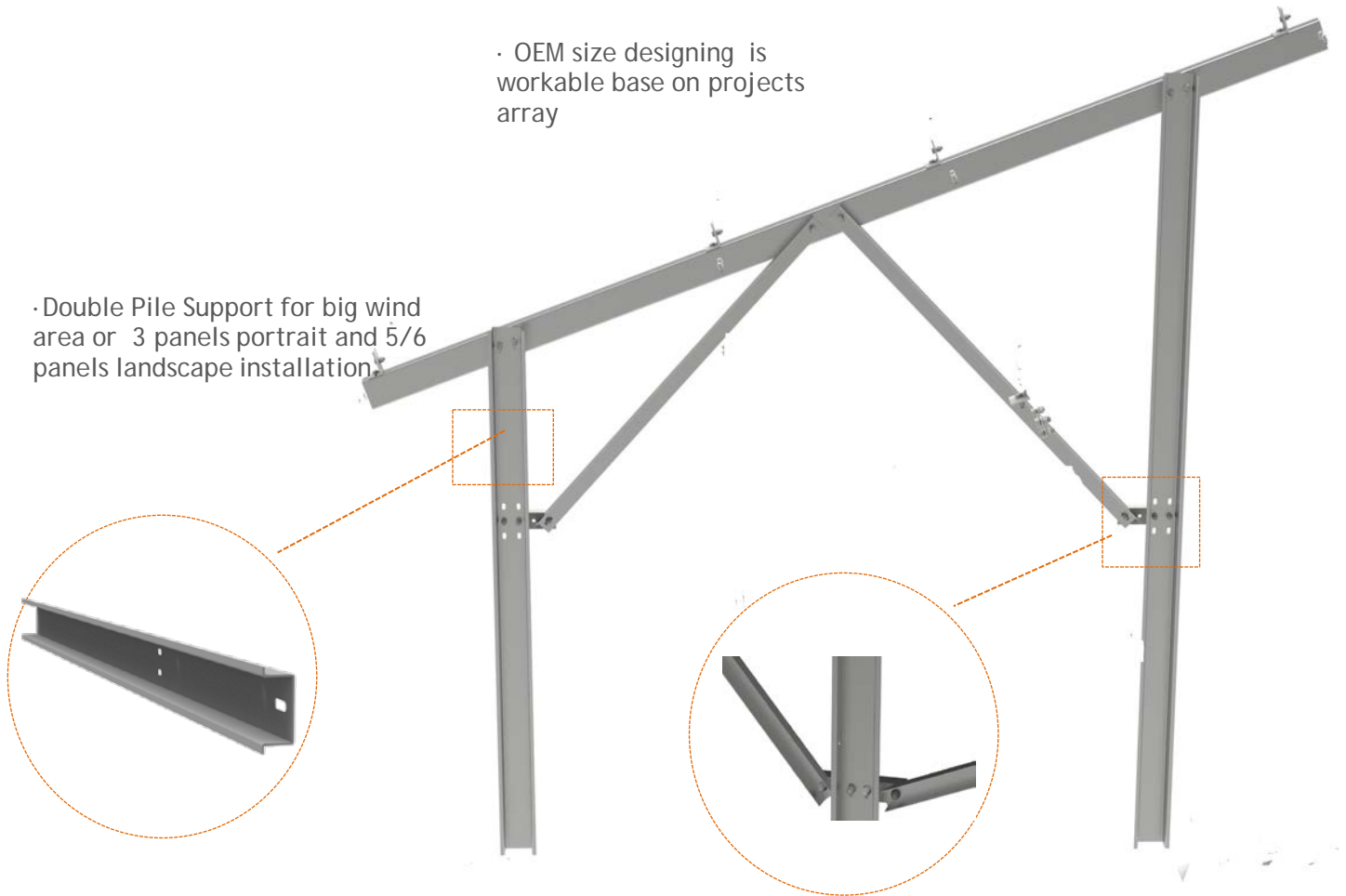


4. Transfer Kit

Unique Feature

· OEM size designing is workable base on projects array

· Double Pile Support for big wind area or 3 panels portrait and 5/6 panels landscape installation.



Technical Data

Product name	AW-2P Mount System
Application	Ground and flat concrete concrete roof
Inclination	Fixed 10/15/20/25/30 deg or customized
Material	Q235B
Finish	Hot dip Galvanaized Steel, average 75um
PV module	Framed or Unframed
Module size	Small and Big modules
Module orientation	Portrait and landscape
Module direction	South , North
Foundation	Pile

AWC Water-proof Carport



Water-Proof Rail System Components



Cross Rail



Sink Rail



Sink Plate

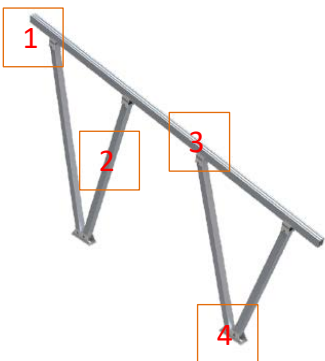


Module Clamp



Rail Fix Kit

AWC Leg Components



1. Beam



2. Tube



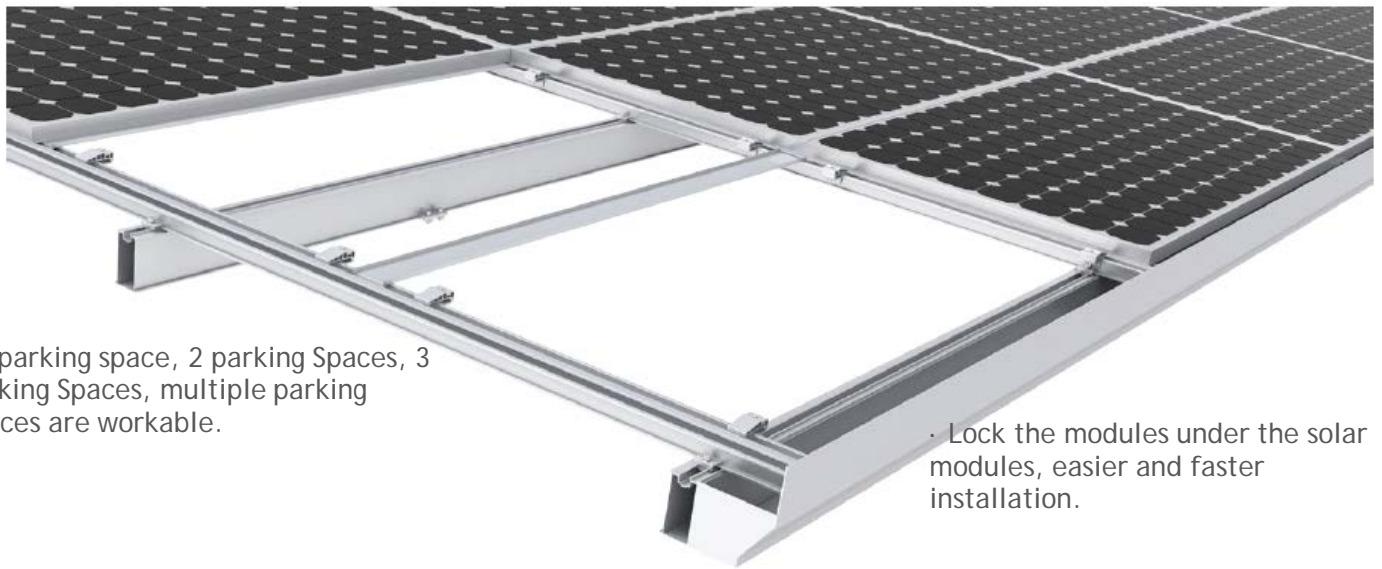
3. Transfer Kit



5. Base

Unique Feature

- The water-proof rail system used, completely waterproof and rain protection.



- 1 parking space, 2 parking Spaces, 3 parking Spaces, multiple parking Spaces are workable.

- Lock the modules under the solar modules, easier and faster installation.

Technical Data

Product name	AWC Mount System
Application	Ground and flat concrete concrete roof
Inclination	Fixed 10/15/20/25/30 deg or customized
Material	Aluminum 6005 T5
Finish	Anodized clear, average 12um
PV module	Framed
Module size	Small and Big modules
Module orientation	Landscape
Module direction	South , North
Foundation	Concrete

**Creating the greatest value for you
In worldwide**



Wochn Green Energy Co.,Ltd

Add: Xicen Building 349, Qingpu District, Shanghai,China

Tel: 0086-21-39519802

Mob: 0086-15721481648

Email: sales@wochnmount.com

Web: www.wochnmount.com