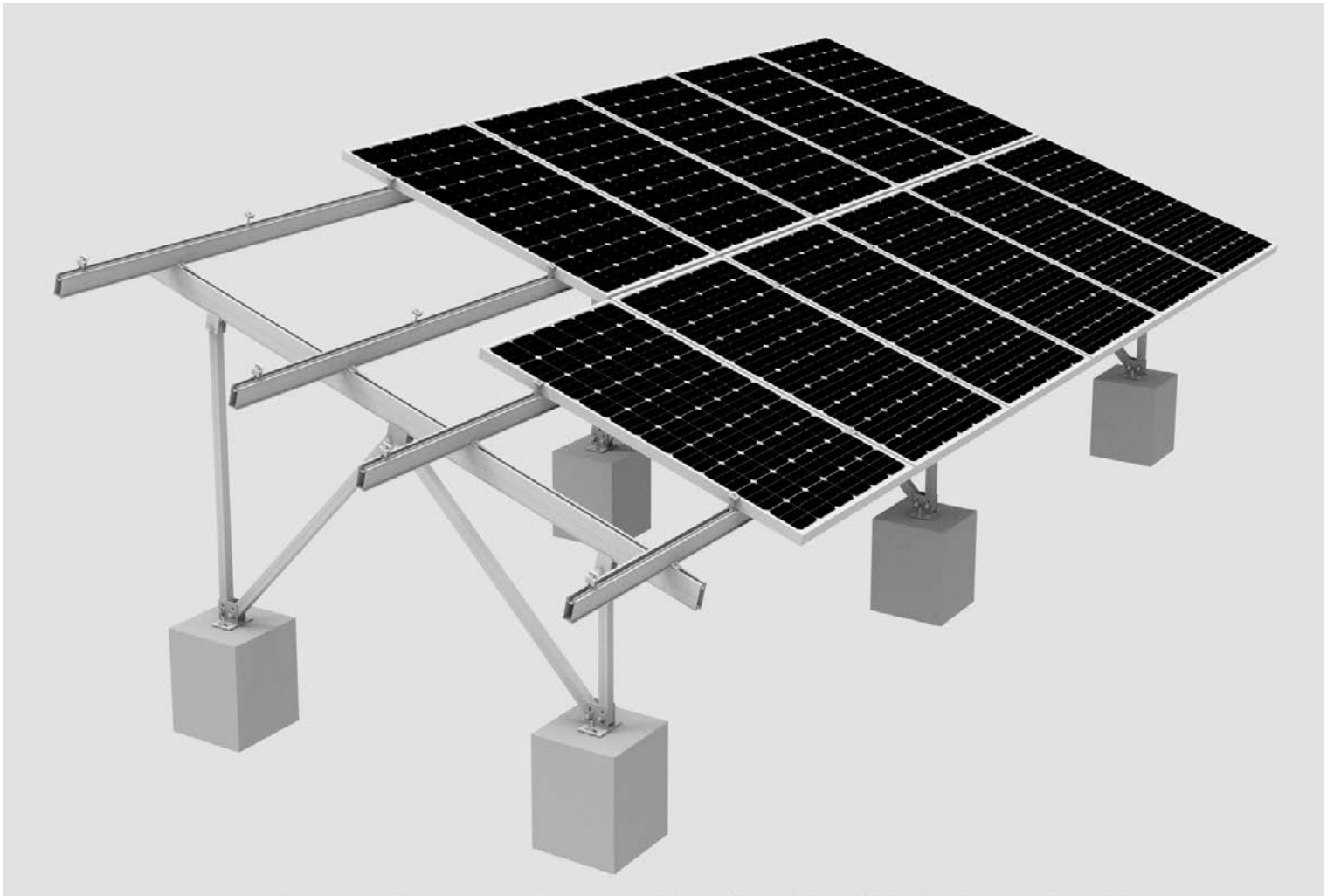


# AW-2PC System



## 9# Rail System Components



9# Rail

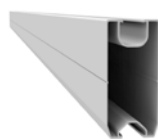
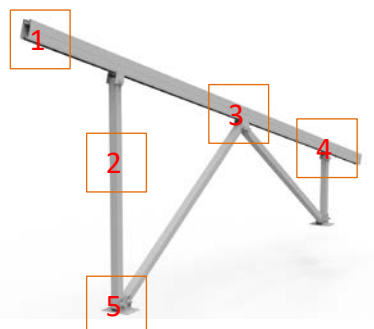
Rail Splice

Mid Clamp

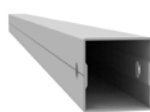
End Clamp

Rail Fix Kit

## AW Leg Components



1. Beam



2. Tube



3. Big Transfer Kit

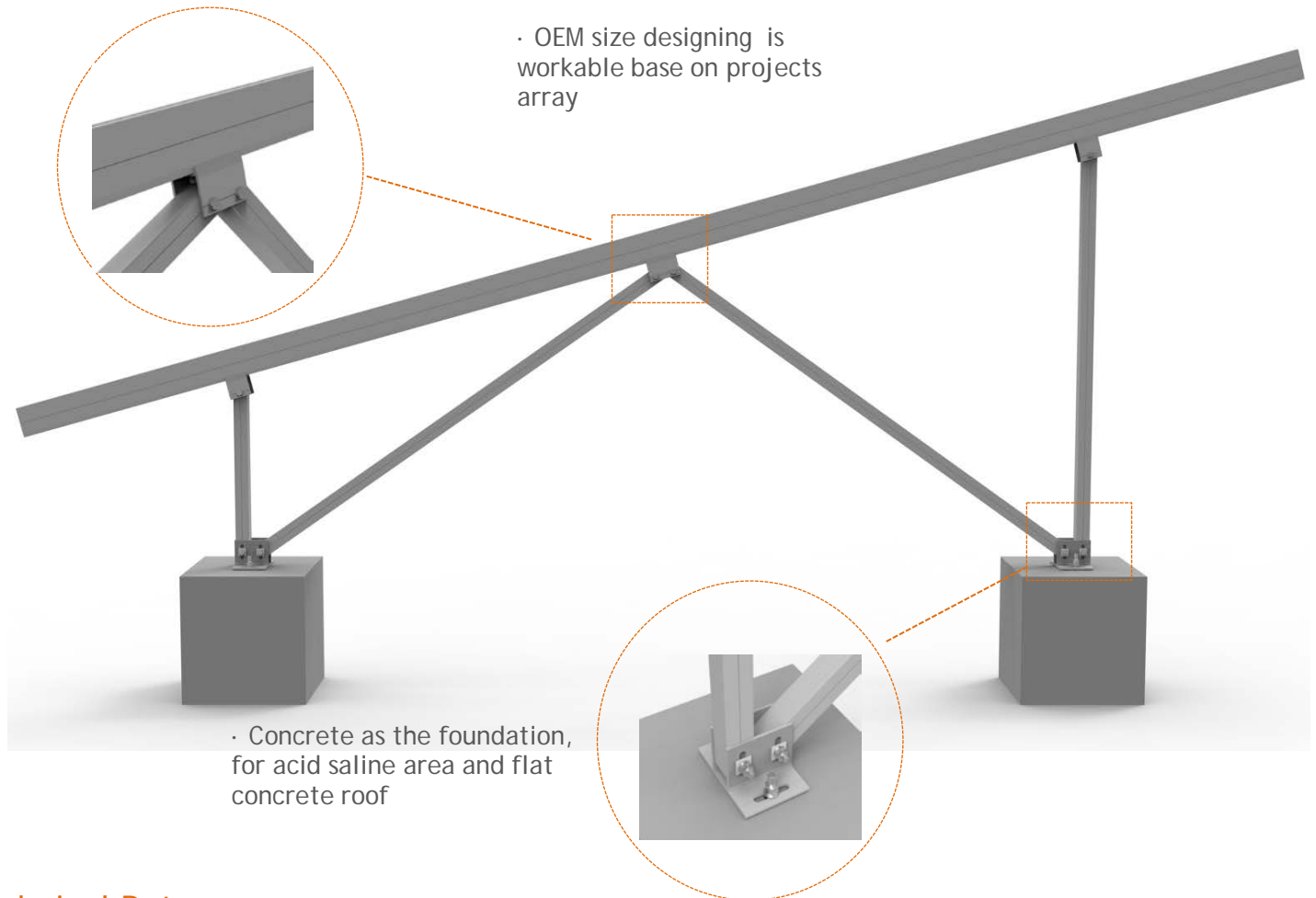


4. Small Transfer Kit



5. Base

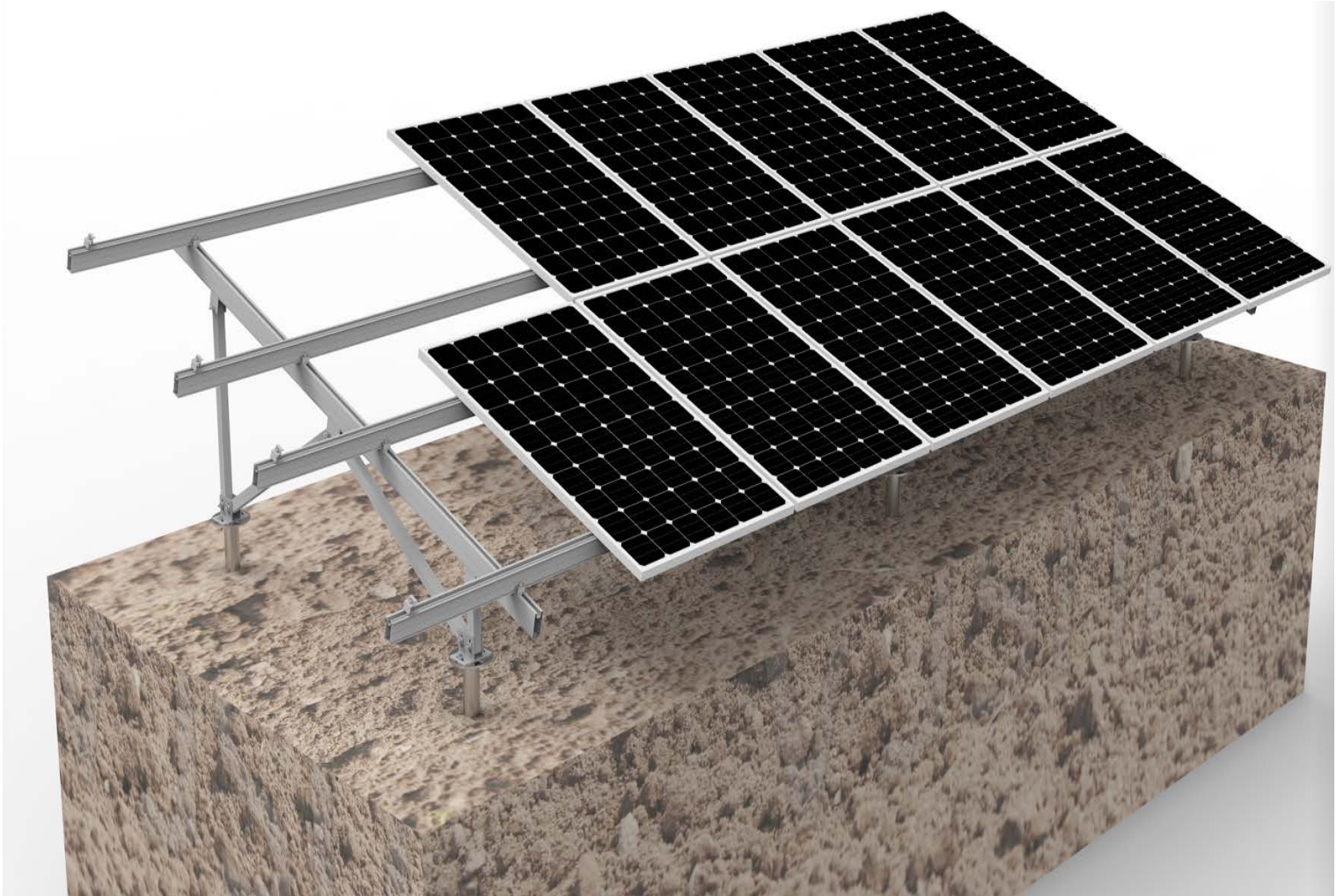
## Unique Feature



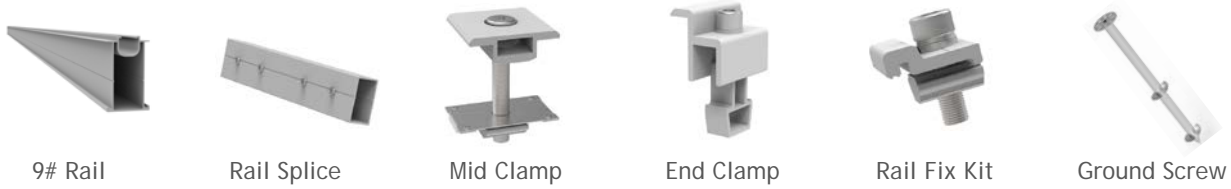
## Technical Data

Product name	AW-2PC Mount System
Application	Ground and flat concrete concrete roof
Inclination	Fixed 10/15/20/25/30 deg or customized
Material	Aluminum 6005 T5
Finish	Anodized clear, average 12um
PV module	Framed or Unframed
Module size	Small and Big modules
Module orientation	1/2/3 panels Portrait
Module direction	South , North
Foundation	Concrete

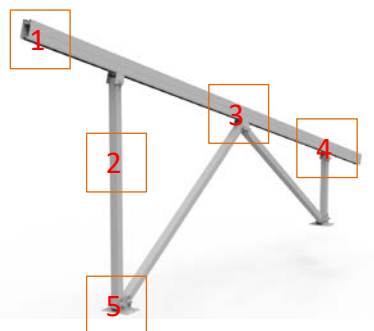
# AW-2PGS System



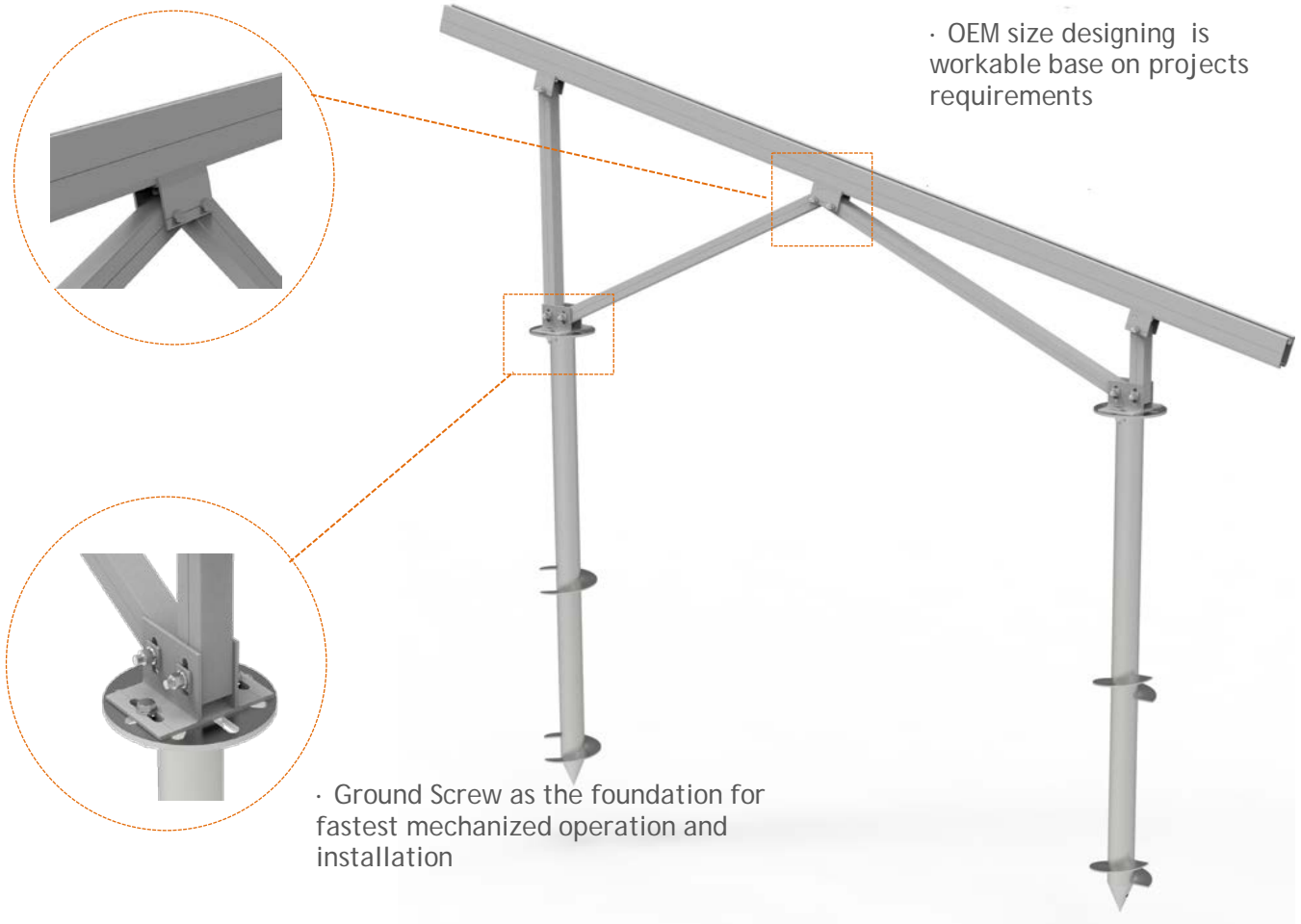
## 9# Rail System Components



## AW Leg Components



## Unique Feature



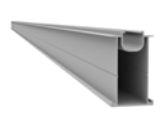
## Technical Data

Product name	AW-2PGC Mount System
Application	Flat Ground or Slop Ground
Inclination	Fixed 10/15/20/25/30 deg or customized
Material	Aluminum 6005 T5
Finish	Anodized clear, average 12um
PV module	Framed or Unframed
Module size	Small and Big modules
Module orientation	1/2/3 panels Portrait
Module direction	South , North
Foundation	Ground Screw

# AW-4LC System



## 9# Rail System Components



9# Rail



Rail Splice



Mid Clamp

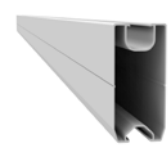
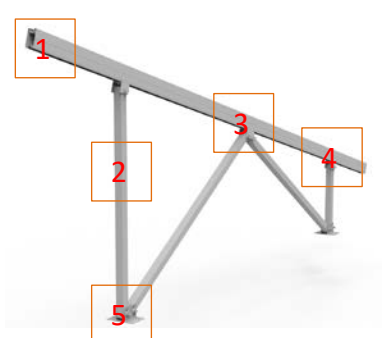


End Clamp

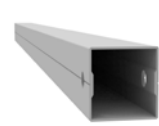


Rail Fix Kit

## AW Leg Components



1. Beam



2. Tube



3. Big Transfer Kit

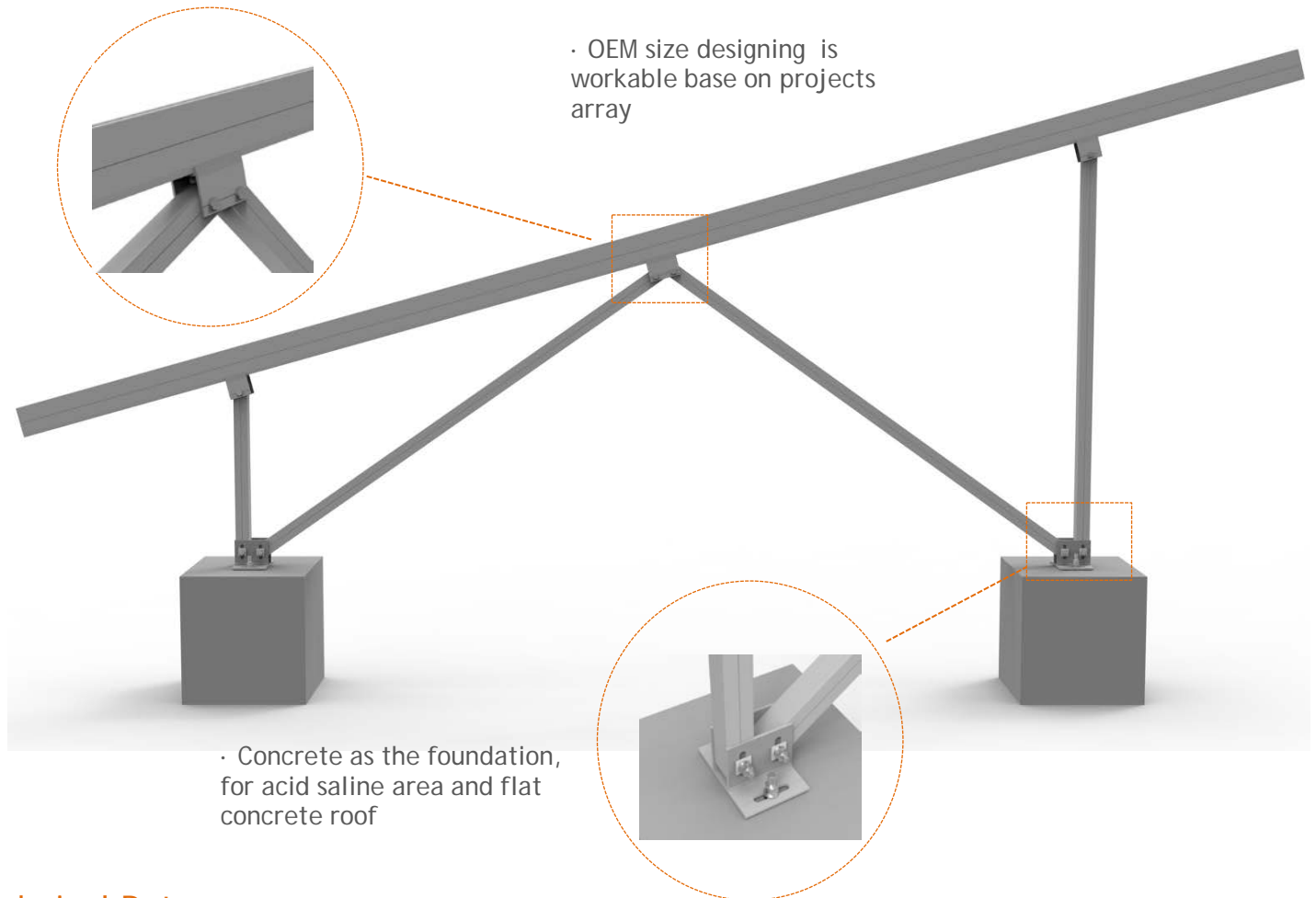


4. Small Transfer Kit



5. Base

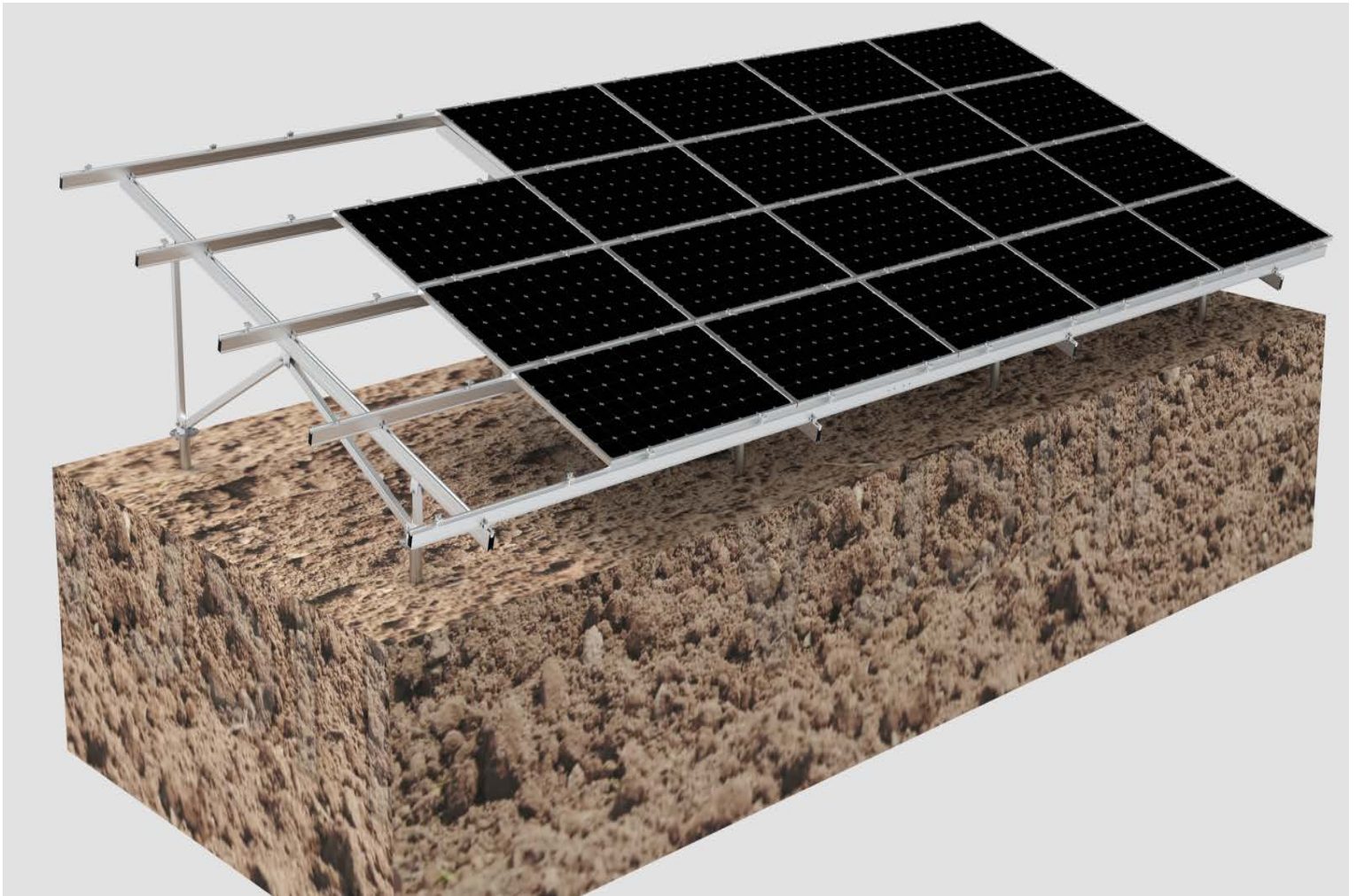
## Unique Feature



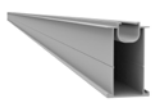
## Technical Data

Product name	AW-4L Mount System
Application	Ground and flat concrete concrete roof
Inclination	Fixed 10/15/20/25/30 deg or customized
Material	Aluminum 6005 T5
Finish	Anodized clear, average 12um
PV module	Framed or Unframed
Module size	Small and Big modules
Module orientation	2 / 3 / 4 / 5 / 6 panels landscape
Module direction	South , North
Foundation	Concrete

# AW-2PGS System



## 9# Rail System Components



9# Rail



Rail Splice



Mid Clamp



End Clamp

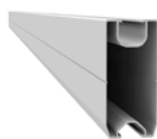
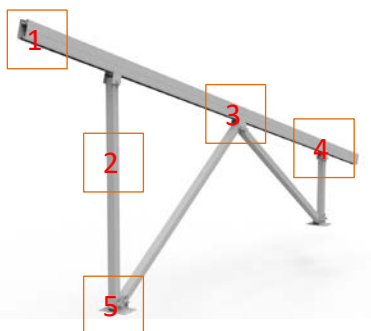


Rail Fix Kit

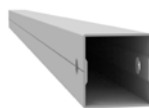


Ground Screw

## AW Leg Components



1. Beam



2. Tube



3. Big Transfer Kit

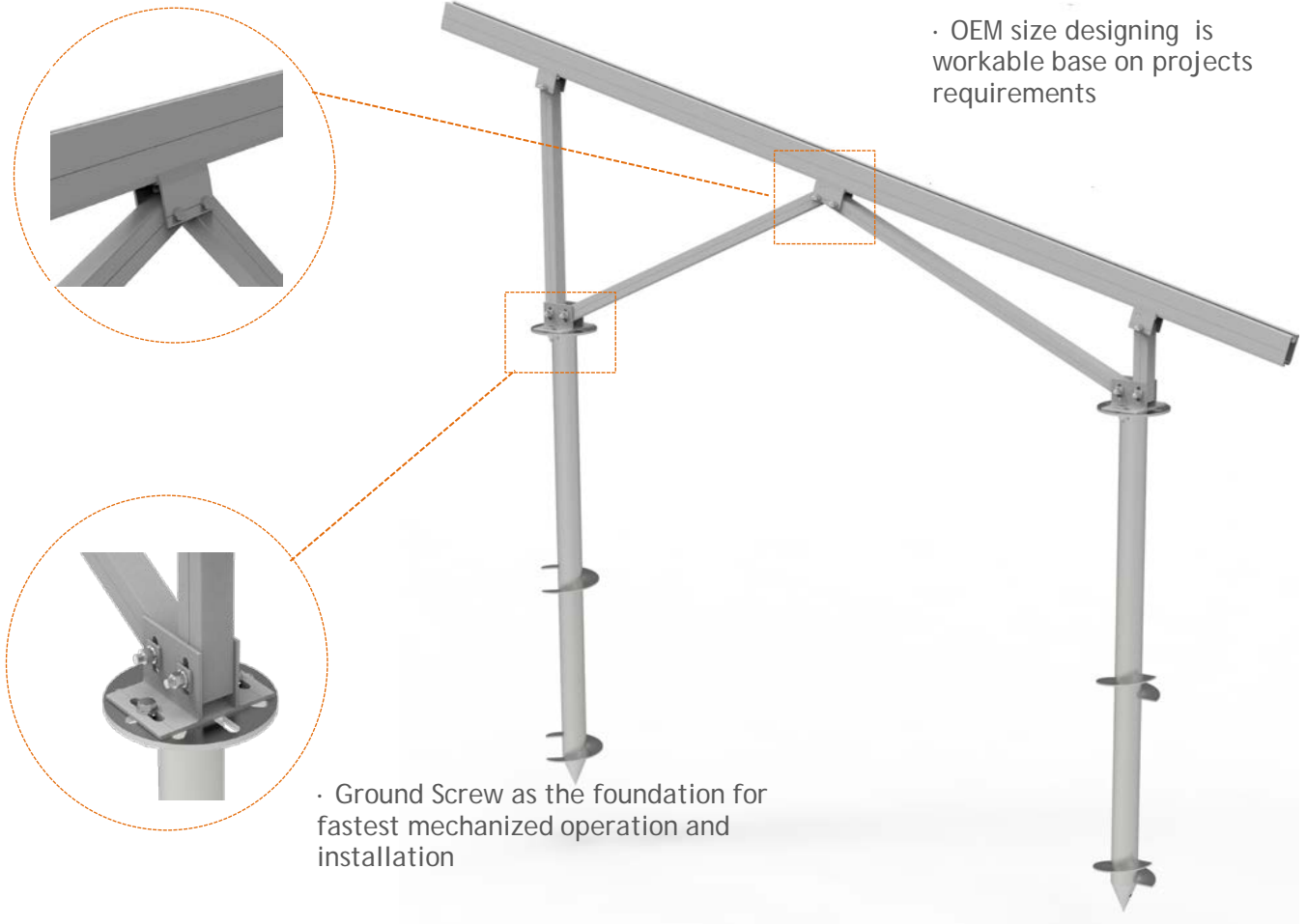


4. Small Transfer Kit



5. Base Kit

## Unique Feature



## Technical Data

Product name	AW-2P Mount System
Application	Flat Ground or Slop Ground
Inclination	Fixed 10/15/20/25/30 deg or customized
Material	Aluminum 6005 T5
Finish	Anodized clear, average 12um
PV module	Framed or Unframed
Module size	Small and Big modules
Module orientation	2 / 3 / 4 / 5 / 6 panels landscape
Module direction	South , North
Foundation	Ground Screw