

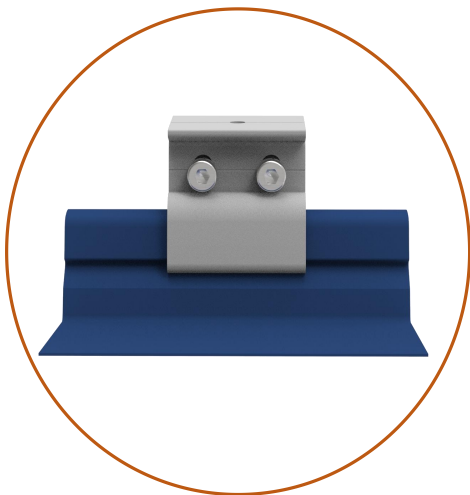
# Date Sheet & Brochure

WOCHN Standing seam clamp AC-02 is specifically made for Lysaght Klip-lok 700 metal seam roofing, It' s simply compatible with WOCHN L feet mount system to make the system more strong and robust. Pre-assembled side-bolts for super quick install. Installation is as simple as placing the clamp on the seam and tightening the setscrew to the specified tension to reach maximum holding strength.



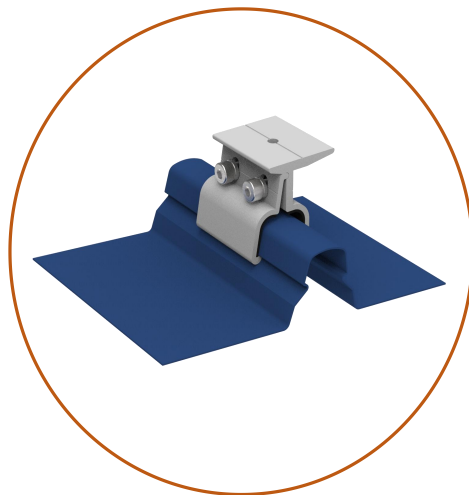
**Standing seam clamp**

Item:WQ-AC-02



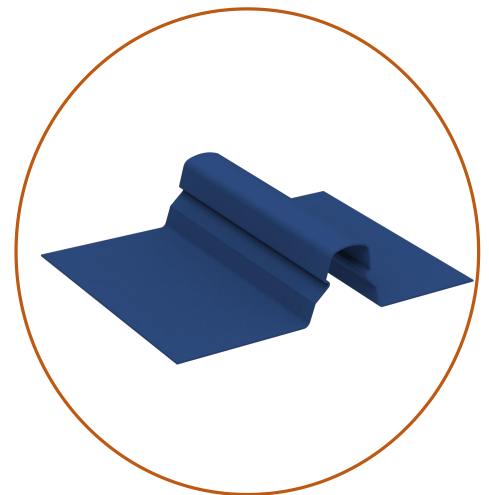
### Easy Installation

Pre-assembled side-bolts for super fast installation.



### Weatherproof

No penetrative means no water leak on the roof.

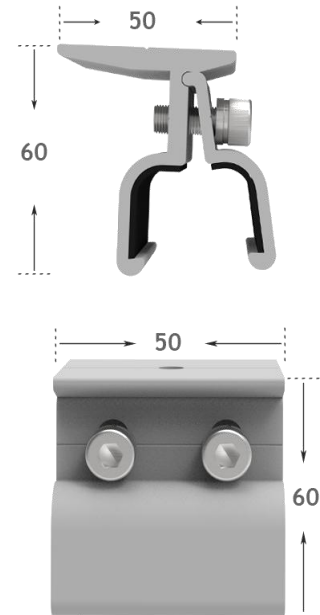


### Workable roof

Suitable for Lysaght Klip-lok 700 metal seam roofing.

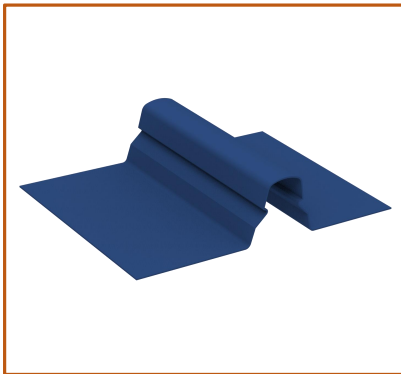
## Technical Data

Max pull out load vertical to roof:	7.8KN
Screw tension:	up to 4NM
Ultimate Tensile Strength:	62
Tensile Yield Strength:	42
Fatigue Strength:	100 Mpa
Shear Modulus:	26.0 Gpa
Shear Strength:	205 Mpa
Hardness, Knoop:	21
Hardness, Vickers:	701
Elongation at Break:	0.80%
Modulus of Elasticity:	69.0 Ga

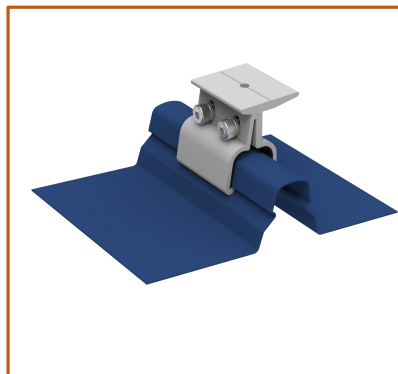


Unit: mm

## Quick Installation Guide



**Step 1:**  
Confirm the Lysaght Klip-lok 700 metal seam roofing.



**Step 2:**  
Confirm the Clamp position and attach the Clamp on roof seam.



**Step 3:**  
Fasten clamp on side with 2 blind rivets.

Torque value:  
12 N.m



**Step 4:**  
Install L feet on clamp and then connect rail system.

Torque value:  
12 N.m