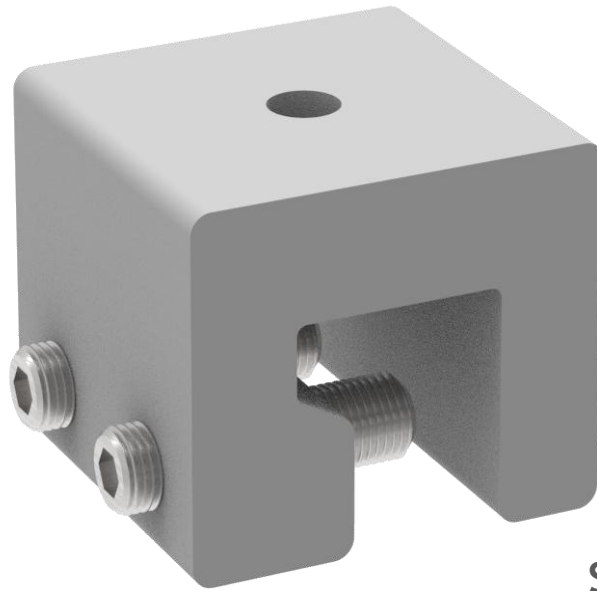


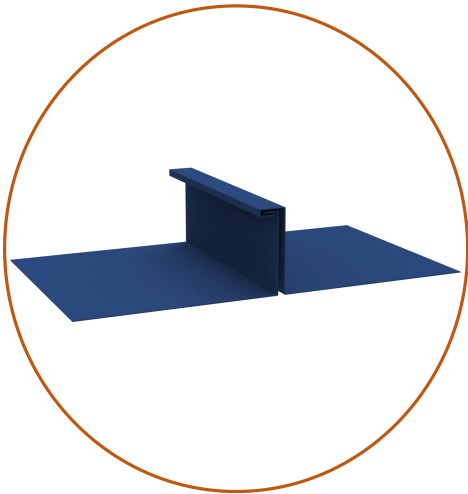
# Date Sheet & Brochure

WOCHN standing seam clamp WQ-AC-23 is for solar installation on single fold in 90-degree standing seams. This clamp maintains the elegance of your standing seam roof with no penetrate to the roof material. The simplest and easiest installation way for standing seam roof make it used widely worldwide.



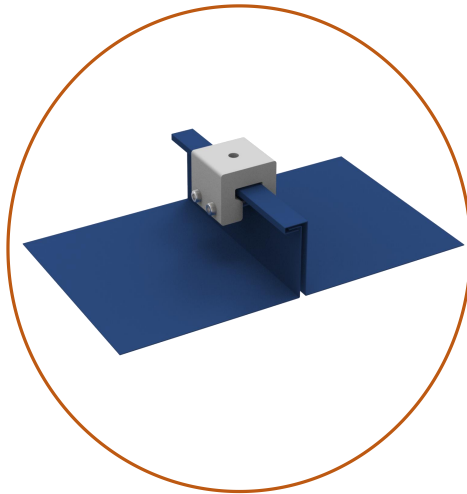
**Standing Seam Clamp**

Item:WQ-AC-23



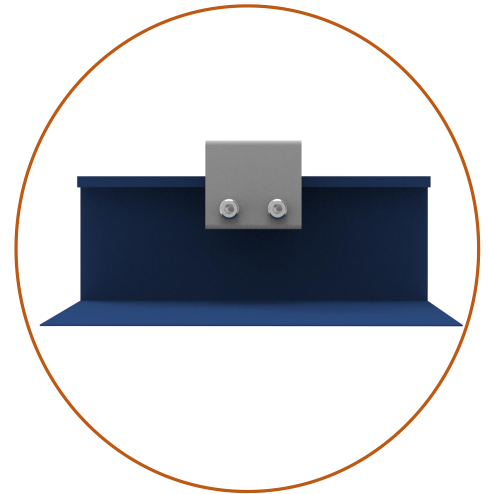
### Roof Type

Suitable for single fold in 90-degree standing seams



### Roof Friendly

Install on the roof-seam directly , non penetrative

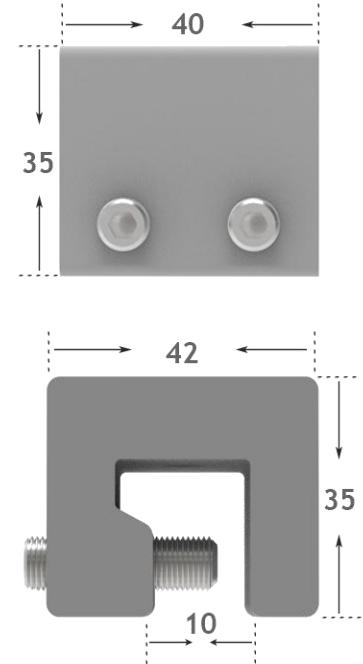


### Easy Installation

Fasten clamp on roof seam with blind rivets in one side

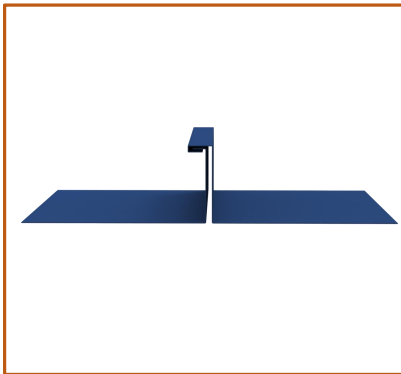
## Technical Data

Max pull out load vertical to roof:	7.8KN
Screw tension:	up to 4NM
Ultimate Tensile Strength:	62
Tensile Yield Strength:	42
Fatigue Strength:	100 Mpa
Shear Modulus:	26.0 Gpa
Shear Strength:	205 Mpa
Hardness, Knoop:	21
Hardness, Vickers:	701
Elongation at Break:	0.80%
Modulus of Elasticity:	69.0 Ga

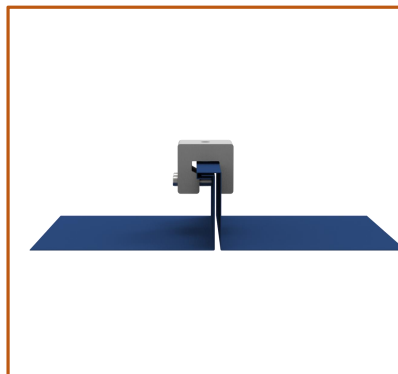


Unit: mm

## Quick Installation Guide



**Step 1:**  
Confirm the single-fold seams in 90-degree.

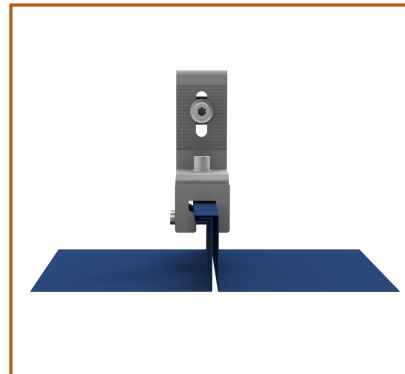


**Step 2:**  
Confirm the Clamp position and attach the Clamp on roof seam.



**Step 3:**  
Fasten clamp on side with 2 blind rivets.

Torque value:  
12 N.m



**Step 4:**  
Install L feet on clamp and then connect rail system.

Torque value:  
12 N.m